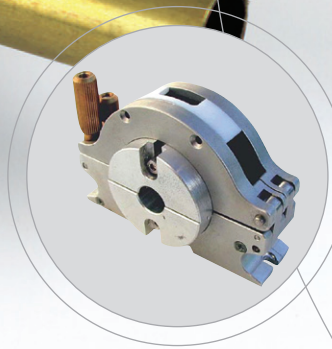


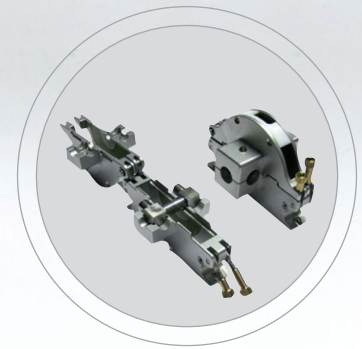
The removable cartridge system allows precise alignment of the joining parts, even under extremely narrow conditions



The extremely small design allows even the joint of microfitting to microfitting



Wide cartridge with changeable collets for standard applications except for microfittings



For each tube size one specific cartridge is required

ORBIWELD 12

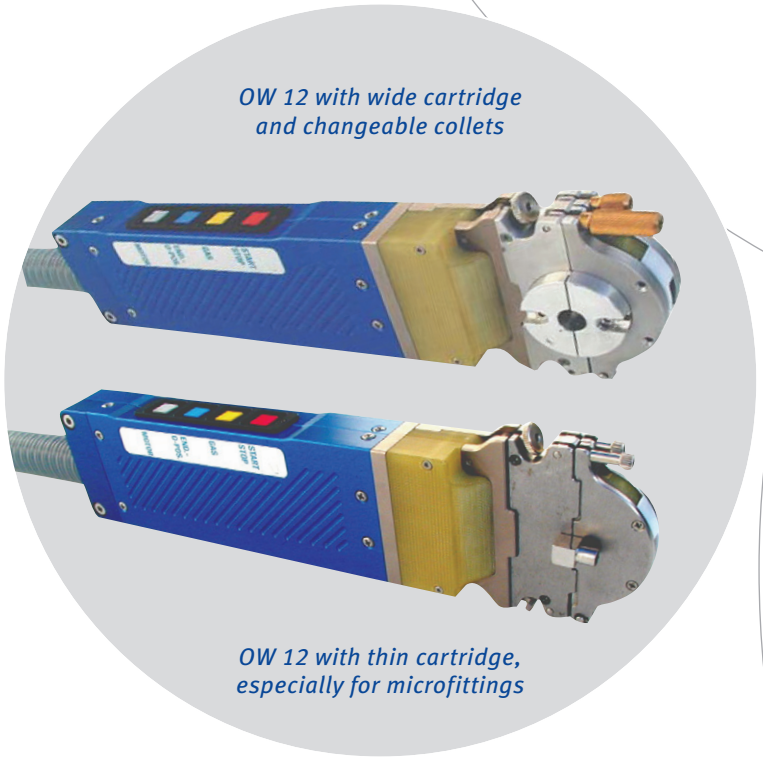
Microweldhead for tubes from \varnothing 3 - 12.7 mm (0.118 - 0.500")

The ideal solution for semiconductor industries and wherever you have extreme low clearances. Matches all types of Microfittings!

The ORBIMATIC **ORBIWELD 12** microweldhead with its extremely compact design and the various cartridges, offers a unique flexibility and through an integral water-cooled body design an unusual high duty cycle for a weld head in that size concept.

Together with the **ORBIMAT C**-range of orbital power sources you will get a high-precision welding system with multiple choices but still easy operation:

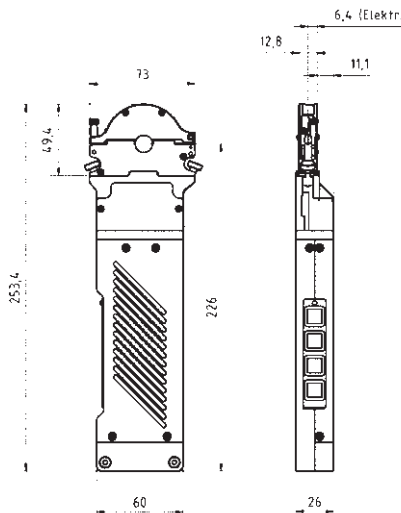
- Quick-change system for collets
- In-handle integrated remote control
- Collets for nearly all standard elbows and fittings
- The extremely small design allows even the joint of microfitting to microfitting (for each tube size one specific cartridge is required)
- Wide cartridge with changeable collets for standard applications except for microfittings
- The removable cartridge system allows precise alignment of the joining parts, even under extremely narrow conditions



OW 12 with wide cartridge and changeable collets

OW 12 with thin cartridge, especially for microfittings

Dimensions ORBIWELD 12 with cartridge type A:



Dimensions ORBIWELD 12 with cartridge type B:

